

Northern

Ombre

Press release — Spring 2019



Ombre appears to be a multifaceted design, comprised of a compact base, a light source and an adjustable shade. Ask the designer about Ombre's essentials and he'll explain that there are only two: shadow and light. Like a dance between them, the light is projected upwards directly onto the shade, where it is softened and diffused. The shade captures the light in its contours and reflects it onto the surfaces surrounding it.

As the shade is tilted to direct the light, the effects create subtle shadows around the lamp. The base and shade are crafted from steel and seamlessly powdercoated in matt black or beige. Although Ombre has subtle ways of directing and diffusing the light, its effect on the surroundings can have dramatic impact.

‘Ombre creates subtle light effects. Its shade diffuses the light and projects soft shadows into the surroundings.’

Design by Antoine Rouzeau

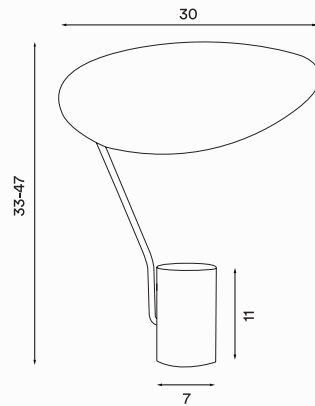


Models and prices



Ombre
warm beige / black

EURO 279,- / SEK 2.690,-
DKK 1.990,- / NOK 2.490,-
GBP 239,-



Available:
March 2019

Retailers and distribution:
See details at northern.no

Press release — Spring 2019

Photo by Chris Tonnesen
Styling by Per Olav Sølvberg



Antoine lives in Paris, where he works as museum architect at Musée d'Orsay while managing his own design studio. After receiving his degree in architecture, Antoine worked at practices established by leading architects, including the award-winning architect, Jean Nouvel. It may be due to his background in architecture that Antoine now has an intuitive understanding of spatial design. This is reflected in products that can be easily and sensitively integrated into architecture, such as shelving and lighting. Antoine's designs are created for contemporary interiors and characterised by abstract shapes and innovative construction details. Designs such as his Ombre table lamp for Northern, which forges a new relationship between base, light source and shade, illustrate this. Antoine approaches lighting with practicality in mind, but the subtle details he includes make the everyday a little bit brighter.

Antoine Rouzeau



About

Picture the North. Rugged landscapes and clear blue waters, dramatic horizons reflected in breath-taking fjords. A place filled with talent and imagination, always ready to inspire new ideas in design. It's where creative expression meets traditional craft, and where pale beauty is coupled with rough-cut contrasts. Inspirations such as these are sparking new directions for design. This is what Northern was established to pioneer.

The Northern brand was born in the studios of Northern Lighting, where a team of creatives has been illuminating lives for the past twelve years. We combine beauty with functionality, and prefer natural materials and genuine craftsmanship. Furniture and interior accessories are a natural fit for what we do, enabling us to express our characteristic style in a whole new scale.

Northern's debut collection is simplicity at its best, spelled out in streamlined designs that are fun to combine and easy to clash and contrast. Smoked wood, twilight colours and strong silhouettes create subdued moods, while subtle geometries and classic sensibilities add an elegant touch. We see the interior as a flexible, creative space, and make multifunctional products that are unified in style, as well as in spirit.

Our creative reach goes beyond our Norwegian heritage to meet the modern need for laid-back luxury and cutting-edge cool. Northern's designs can energise and inspire, create a relaxing mood, or set the scene for a soothing backdrop. Designed with the potential to make any setting unique, Northern's products add atmosphere as they reveal a new vision for Nordic style.

Contact

Northern
Bygdøy allé 68
0265 Oslo, Norway

Phone – (+47) 40 00 70 37
Mail – post@northern.no
Web – northern.no

Follow us
Facebook – Northern.no
Instagram – [@northern.no](https://www.instagram.com/northern.no)

For any questions or
comments please contact
Head of PR & Marketing,
Stine Birkeland at
stine@northern.no

Northern